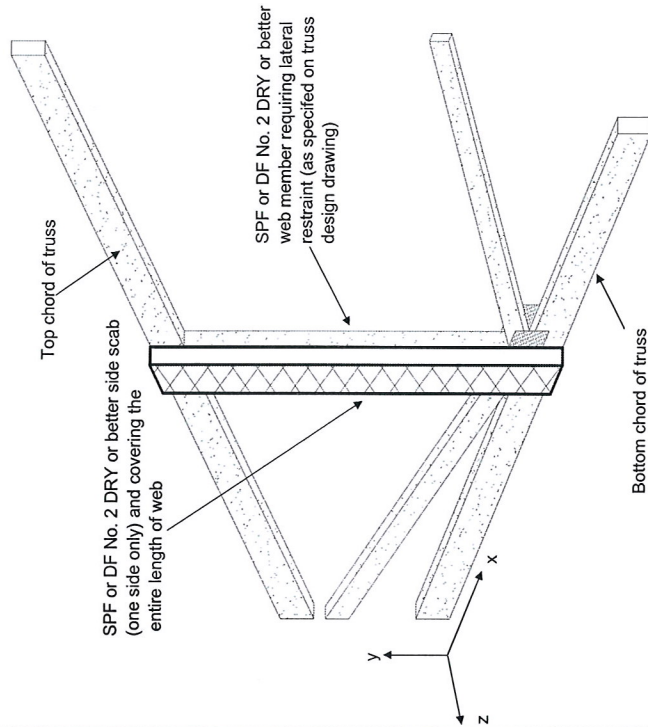


SCAB BRACE DETAIL - SINGLE PLY TRUSSES

B36045P

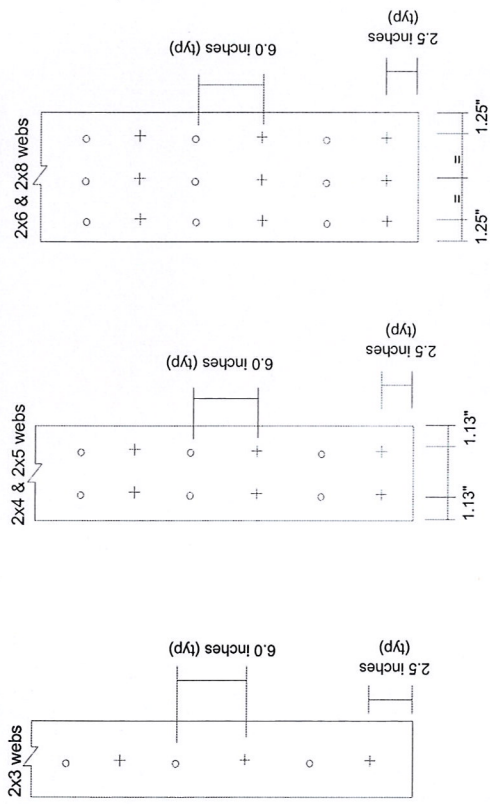
The scab brace detail can be used as an alternative method of bracing compression webs of single ply trusses. Where the original design calls for lateral bracing on a web, the scab-brace is an acceptable alternative provided that the maximum factored axial force in the web member does not exceed the values listed on this detail.



MAX. FACTORED WEB FORCE FOR SCAB BRACE DETAIL (Lbs)

WEB LENGTH (ft.)	WEB SIZE			
	2x3	2x4	2x5	2x6
5.00	4264	5969	7674	9380
5.50	3827	5358	6889	8420
6.00	3409	4772	6135	7499
6.50	3019	4226	5433	6641
7.00	2663	3728	4794	5859
7.50	2345	3283	4221	5158
8.00	2063	2888	3713	4538
8.50	1812	2537	3262	3987
9.00	1594	2232	2870	3507
9.50	1406	1968	2530	3093
10.00	1243	1740	2237	2734
10.50	1102	1543	1983	2424
11.00	980	1372	1764	2156
11.50	874	1223	1573	1923
12.00	782	1095	1407	1720
12.50	701	982	1263	1543

For intermediate web lengths, do not interpolate. Use the tabulated value of the next longest web.



NAILING PATTERN FOR SCAB BRACE

- + 3.0 inch COMMON SPIRAL NAIL DRIVEN FROM FRONT FACE
- o 3.0 inch COMMON SPIRAL NAIL DRIVEN FROM BACK FACE

Fit in maximum number of nails into scab, while respecting the nailing patterns shown above.

APR 28 2009



- NOTES:
- Scab size must be equal to web size (i.e. use 2x4 scab on 2x4 web etc.)
 - Scab & web lumber must be DRY at time of fastener installation
 - Scab must cover the entire length of web
 - Web lumber to be SPF or DF species, and No. 2 or better grade
 - Scab lumber may be either SPF or DF species and No.2 or better grade
 - This detail is valid only for web lengths ranging from 5 ft. to 12.5 ft.
 - This detail CANNOT be used to repair damaged webs.
 - Tabulated resistance values are for standard load duration only (Kd=1.0)
 - This detail is to be used only in conjunction with sealed MITek Canada drawings
 - Use this detail in conjunction with MITek specification MII-7473C rev. 10-08
 - This detail is not valid after April 30th 2011



MITek Canada Inc
100 Industrial Rd.
Bradford, Ontario L3Z 3G7